

# DANUBE

## HIGH SPIN WASHER EXTRACTORS

WED-11/14/18 ET2



### EASY TOUCH 2

User friendly and totally programmable 7" ET2  
USB Connection. PC software free of charge for  
programming, traceability, data analysis...  
Videos on display (ads, instructions)  
37 languages  
8 dosing signals as standard



### G FACTOR

High G-Factor:  
G-FACTOR 450 for high spin washers



### EFFICIENCY

Intelligent consumption  
Optimal loading  
Water Recovery tanks ready: AQUABAC  
Low water consumption



### VERSATILITY

Make to order: customisation  
OPL < > COIN  
Electric < > Hot water  
Drain valve < > Pump  
Wet cleaning features



### CONNECTIVITY

Remote technical service  
Management of laundries: OPL and COIN  
Remote payment



### ERGONOMICS

Biggest door diameters: Ø 373 mm (for WED-11/14)  
and Ø 460 mm (for WED-18)  
Easy opening/closing system for door lock



### MAINTENANCE

Hinged panel: easy access to parts  
Equivalent parts for all models: contactors,  
electronic devices, gear  
Technical menu: traceability, error diagnosis



### OTHERS

Grey skinplate outer casing  
Drum and tub in stainless steel AISI 304  
Detergent dispenser with 4 compartments  
Electronic control of imbalance with frequency control  
LOADING AID feature: water and rotation control  
CE and WRAS approved product. Option ETL

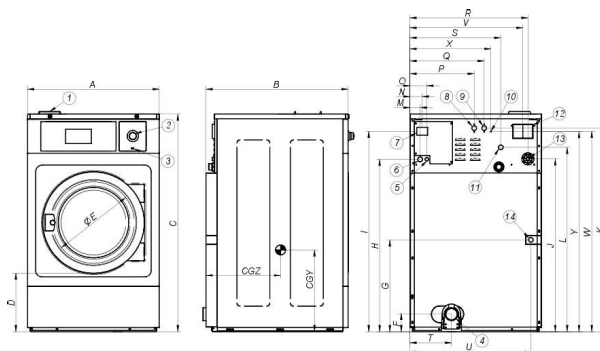


## OPTIONS

- Double drain
- External double drain 3" (recommended for WED-11)
- Drain pump for models WED-11 and WED-14
- Normally closed valve
- AQUA FLOW: recirculation of bath water
- Levelling feet
- Weighing system: automatic weighing sensor system on feet (Includes kit with 6 extra dosing signals)
- Relay card with 6 extra dosing signals: up to 14 signals
- Printer
- Danube Online communication
- Silicone gasket for models WED-11 and WED-14
- Reversible door opening
- Tropicalized model: protected board
- Steam kit to transform an E or HW heated machine into steam version
- Plinth to level all machines from top
- Plinth to align loading height (door base at 850 mm)
- Stainless steel AISI 304 outer casing
- Stainless steel AISI 304 front panel
- Maritime voltage for electric models: 440V III 50/60 Hz  
No neutral
- Coin/token kits
- Delayed door opening in case of power outage

TECHNICAL DATA	UNIT.	WED-11 ET2		WED-14 ET2		WED-18 ET2					
<b>DRUM</b>											
Load capacity 1:9 / 1:10	Kg	11/10		14/13		20/18					
Volume	l	100		130		180					
Diameter	mm	532		620		700					
Depth	mm	425		430		470					
<b>GENERAL DETAILS</b>											
Washing speed / Spining speed	r.p.m.	50/1.231		50/1.138		47/1.071					
G Factor	-	450		450		450					
Maximum force transmitted	KN	2,08 ±0,75		2,49 ±1,05		3,41 ±1,4					
Frequency-dynamic force	Hz	16,7		16,7		16					
Noise level	dB	<70		<70		<70					
Coin laundry version	-	Yes		Yes		Yes					
Double drain	-	Opt (external)		Opt		Opt					
Weighing System / Tilting System	-	Opt/No		Opt/No		Opt/No					
<b>DOOR</b>											
Height door center / Height door base	mm	630/370		700/440		765/450					
Diameter	mm	373		373		460					
<b>POWER</b>											
Motor	kW	0,75		1,1		2,2					
Electric heating power	kW	6		9		12					
Total electric power (electric model)	kW	6,25		9,4		12,75					
Total electric power (hw, steam model)	kW	0,75		1,1		2,2					
<b>CONNECTIONS</b>		<b>ELECTRIC</b>		<b>STEAM / HOT WATER</b>		<b>ELECTRIC</b>		<b>STEAM / HOT WATER.</b>			
Tension 230V - I + N + T	Nº x mm2 / A	3 x 4 / 32A		3 x 1,5 / 6A		3 x 10 / 50A		3 x 1,5 / 10A			
Tension 230V - III + T	Nº x mm2 / A	3 x 2,5 / 20A		-		3 x 4 / 25A		-			
Tension 400V - III + N + T	Nº x mm2 / A	3 x 1,5 / 10A		-		3 x 1,5 / 16A		-			
Steam inlet (Steam model)	inch	1/2"		1/2"		1/2"		1/2"			
Maximum steam consumption (Steam model)	Kg/h	7		8,5		12		12			
Water inlet	inch	3/4"		3/4"		3/4"		3/4"			
Water main pressure	Kgs/cm <sup>2</sup>	2-4		2-4		2-4		2-4			
Maximum water consumption*	Lit/h	71,4		88,8		118,3		118,3			
Drain	inch	3"		3"		3"		3"			
Drainage capacity	Lit/min	200		200		200		200			
<b>DIMENSIONS / PACKING DIMENSIONS</b>											
Net Width / Gross Width	mm	692/730				788/830				884/930	
Net Depth / Gross Depth	mm	788/1.000				869/1.010				913/1.030	
Net Height / Gross Height	mm	1.185/1.417				1.307/1.560				1.415/1.700	
Net weight / Gross weight	kg	230/239				250/283				360/393	
Volume	m <sup>3</sup>	1,03				1,31				1,63	

\* N°20 Program, 75% load



- 1 SOAP DISPENSER
- 2 EMERGENCY STOP
- 3 USB PORT
- 4 DRAIN
- 5 ELECTRIC CONNECTION TO LIQUID SOAP PUMPS
- 6 ELECTRICAL CONNECTION
- 7 MAIN SWITCH
- 8 AUXILIAR WATER INLET
- 9 HOT WATER INLET
- 10 EQUIPOTENTIAL CONNECTION
- 11 COLD WATER INLET
- 12 BLUR OUTPUT / WATER OVERLOAD
- 13 LIQUID SOAP CONNECTION
- 14 STEAM CONNECTION

	A	B	C	D	E	F	G	H	I	J	K	L	M	N	O	P	Q	R	S	T	U	V	W	X	Y	CGY	CGZ
WED-11	692	788	1.185	370	373	125	354	913	1.085	916	1.100	985	61	74	101	316	371	610	448	226	626	580	1.080	461	1.145	424	577
WED-14	788	869	1.307	440	373	243	385	1.034	1.202	1.037	1.221	1.106	61	74	101	385	445	706	544	243	718	676	1.202	485	1.201	450	651
WED-18	884	913	1.415	450	460	95	380	1.135	1.303	1.138	1.322	1.207	61	74	101	429	509	802	640	348	814	772	1.303	569	1.297	464	702